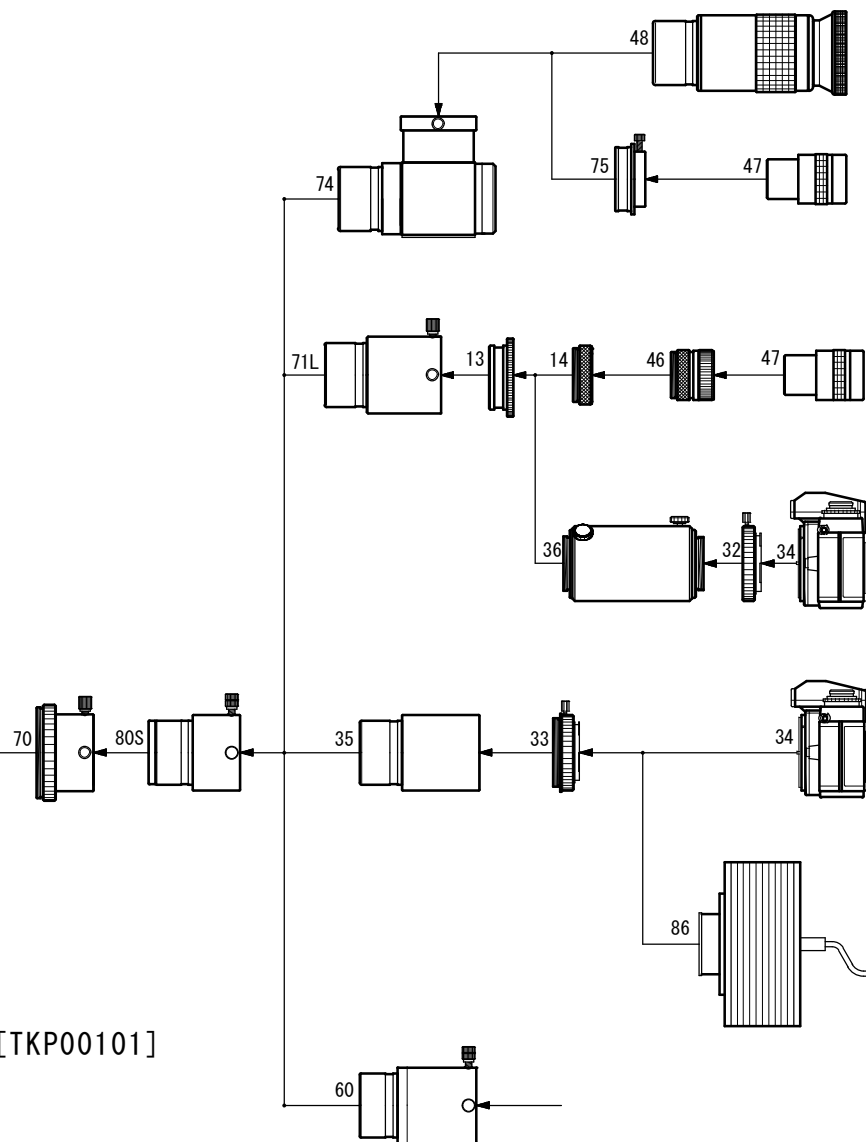
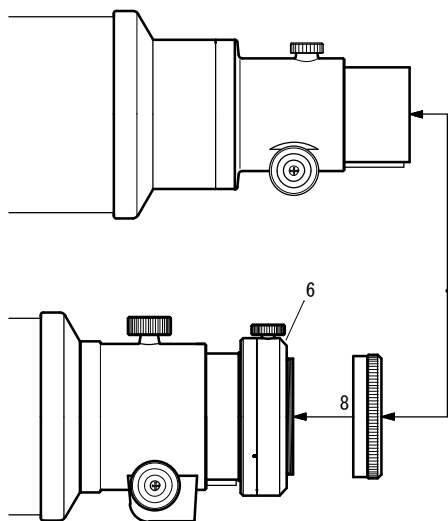


# TOA-130S / 130F

## 35-Flattener System Chart

- 6. CAA [TKP30200]
- 8. Coupling (TW) [TKP31003]
- 13. 50.8 sleeve [TKP00113]
- 14. Coupling (S) [TKP00103]
- 32. T-mount
- 33. Wide T-mount
- 34. 35mm SLR/DSLR camera
- 35. CA35 (50.8) [TKA31201]
- 36. TCA-4 [TKA00210]



- 46. Ocular adapter (31.7mm) [TKP00101]
- 47. Ocular (31.7mm)
- 48. Ocular (50.8mm)
- 60. Extender TOA 1.6x [TKA31595]
- 70. Ocular adapter (50.8mm) [TKP27110]
- 71L. Extension tube (L) [TKP31112]
- 74. Diagonal mirror (50.8) [TKA00543]
- 75. Adapter (DM) (31.7mm) [TKA00111]
- 80S. 35-Flattener [TKA31582]
- 86. CCD camera